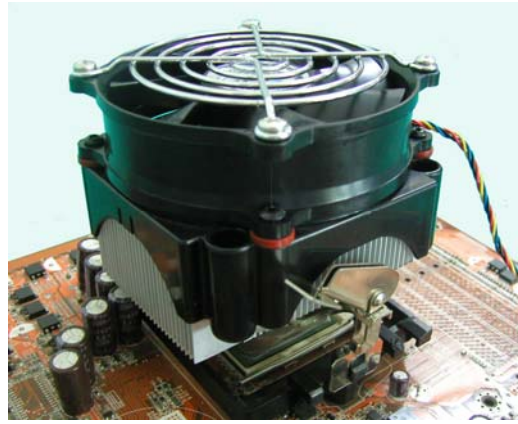
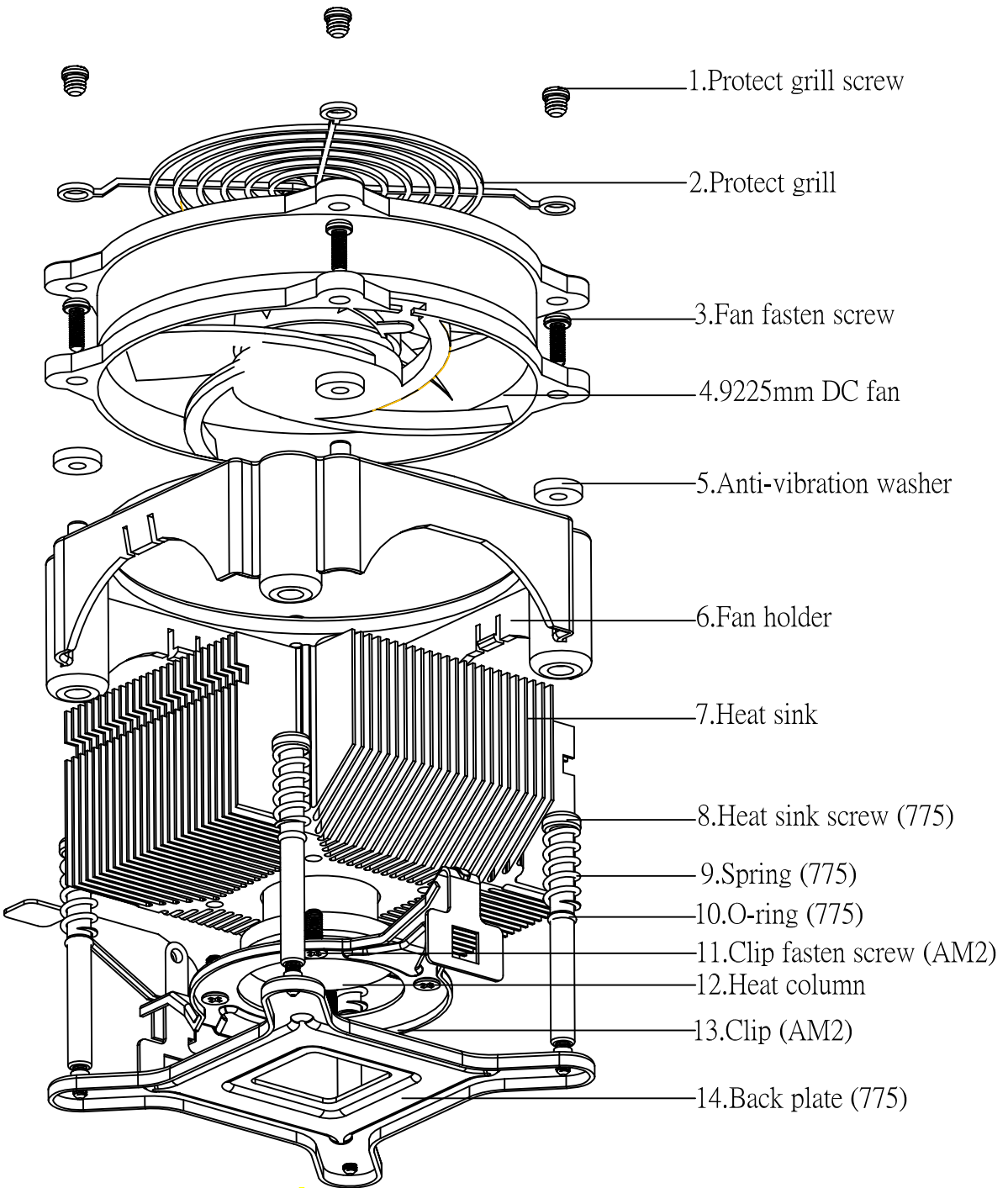


**NPH AM2**



Specification			
Fan Spec		Heat Sink Spec	
Size	92 * 25 mm	Size	90 *90*40mm
Bearing	Long Life Bearing	Material	<b>Aluminum/6063/AL Heat Column</b>
Rated Speed	2500RPM +-10%	Fin no.	100
Max Air Flow	41.62 CFM	Clip Spec	
Noise Level	30 dB(A)	Material	SK7
Voltage	12v DC	Cooler Spec	
MTBF	50000 hrs at 25°C	Material	Thermal Grease
Lead Wire Length	180 +-10 mm	Weight	
Applications			
AMD (Socket 939/940) & AM2 INTEL : Supports Pentium 4 Socket 775 Prescott			

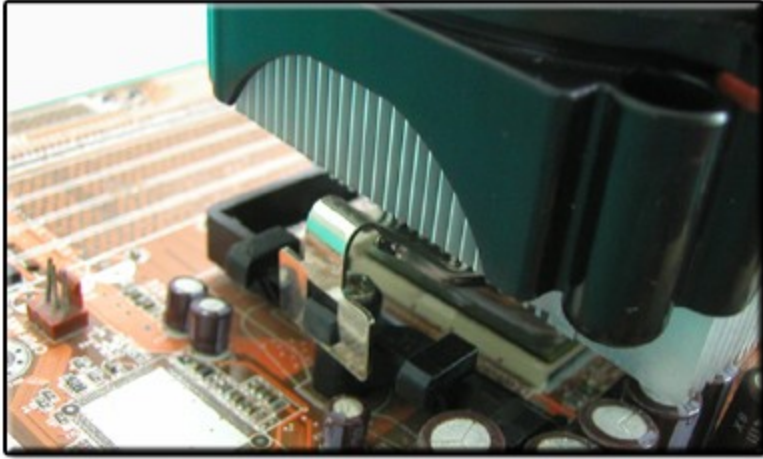
# NPH AM2 (Universal) INSTALLATION GUIDE



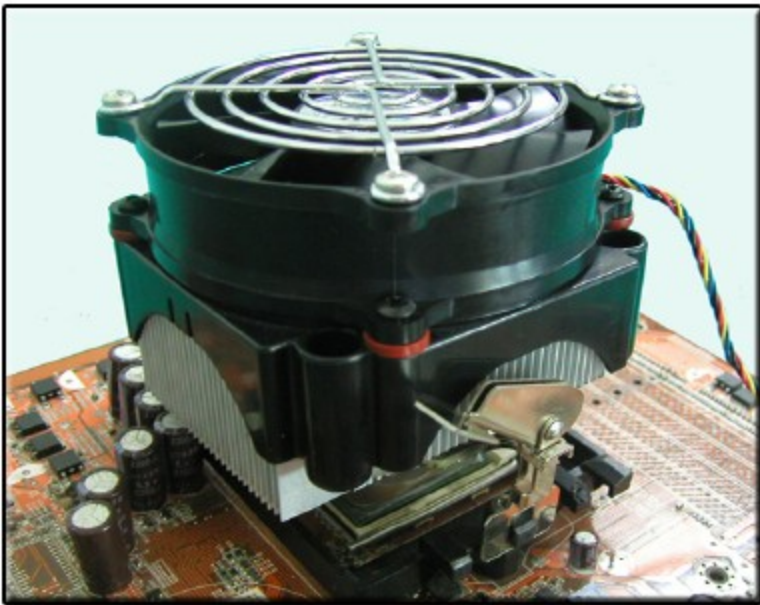
# NPH AM2 installation guide

\*Thermal compound is already applied on the heatsink

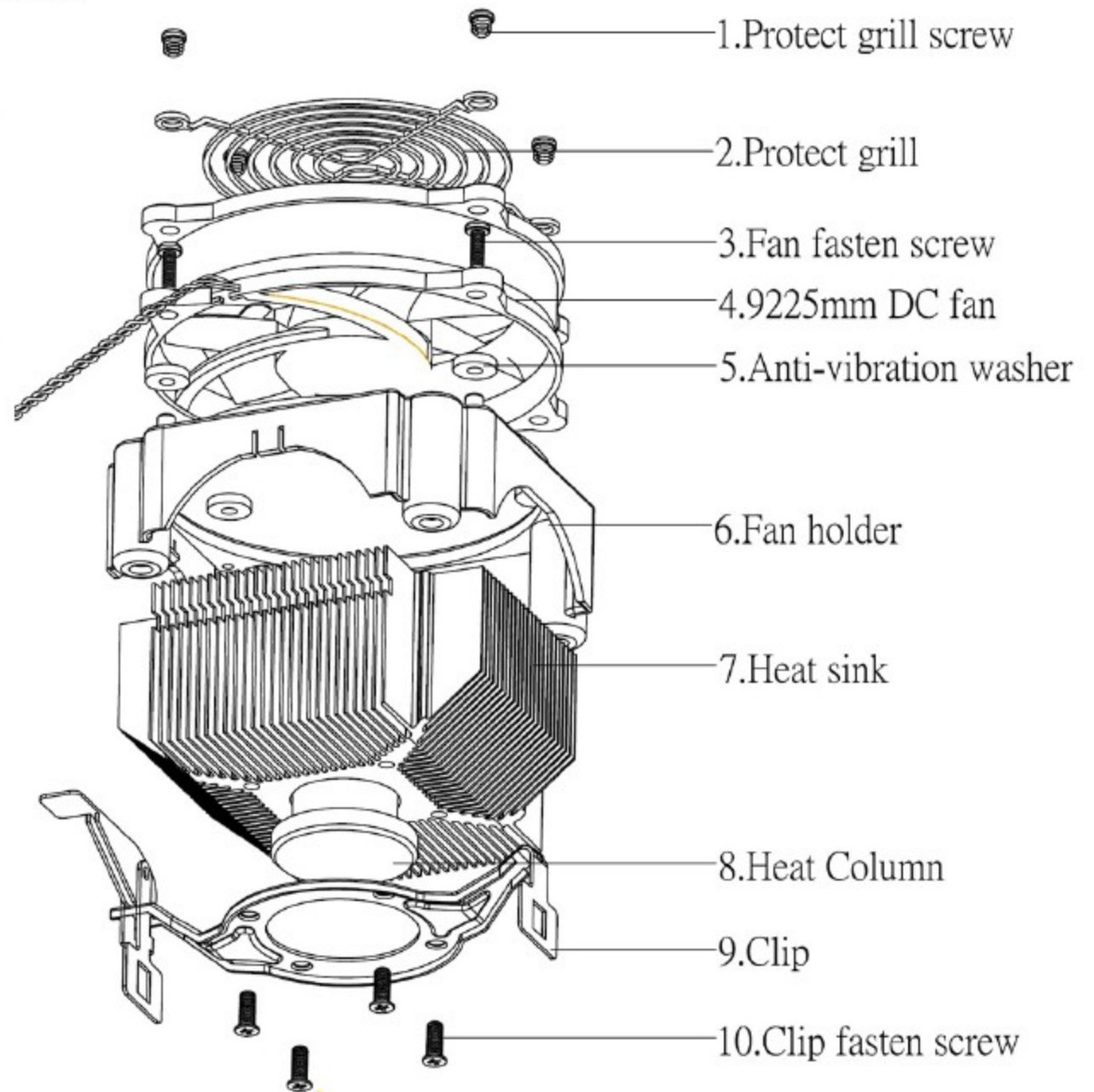
**Step 1:** Put clip hole into mounting bracket



**Step 2:** Secure the clip fixed with mounting bracket



**Step 3:** Put another side clip hole into mounting bracket



**Step 4:** Please attached the power connector of the cooler to the CPU fan header located on the motherboard

