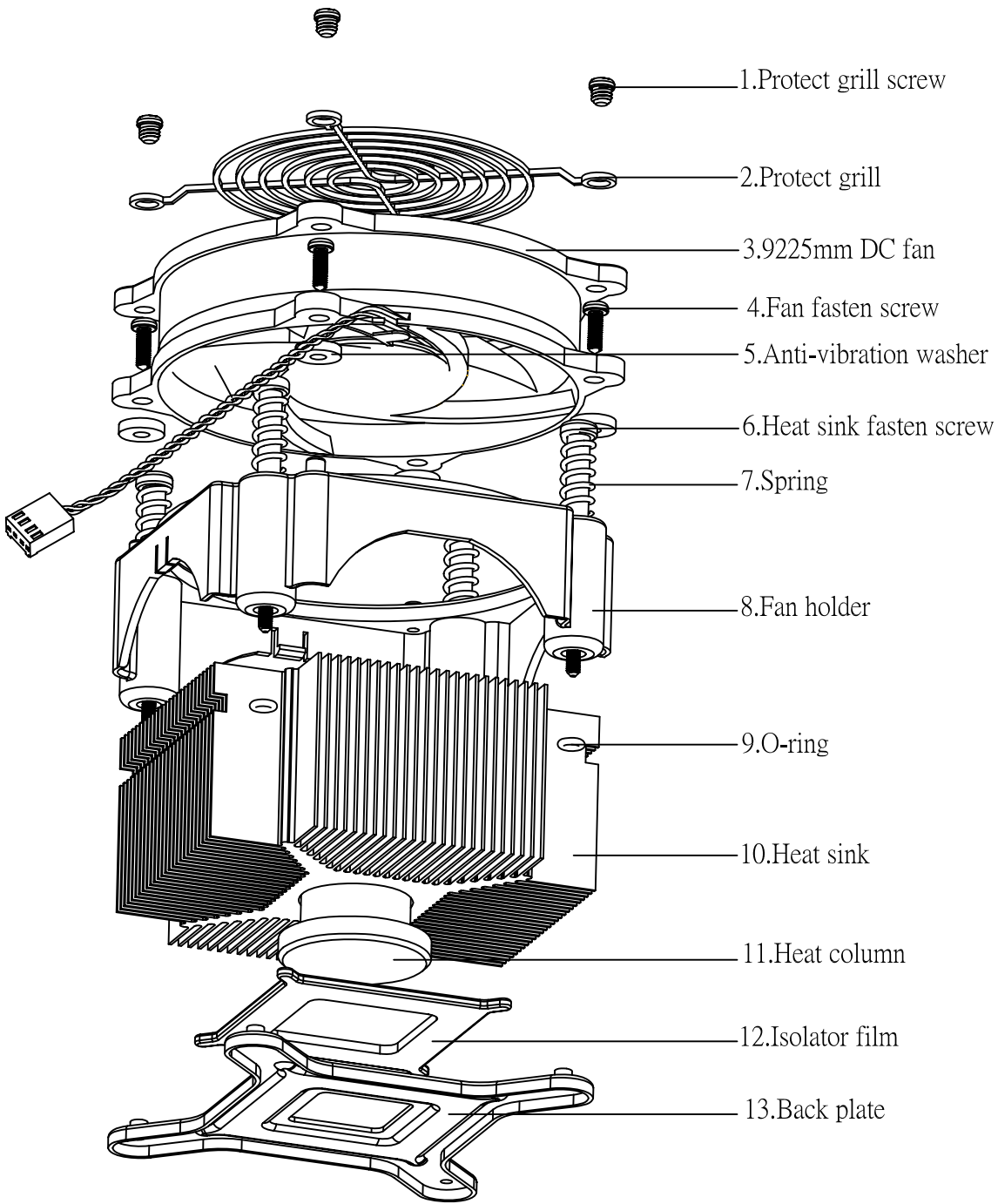


## NPH 775-8

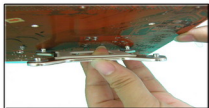


Specification			
Fan Spec (PWM)		Heat Sink Spec	
Size	92 * 25 mm	Size	90 * 90*40mm
Bearing	Long Life Bearing	Material	<b>Aluminum/6063/AL Heat Column</b>
Rated Speed	0 ~ 4200RPM +-10%	Fin no.	100
Max Air Flow	0~41.62 CFM	Clip Spec	
Noise Level	30 dB(A)	Material	SK 7
Voltage	12v DC	Cooler Spec	
MTBF	50000 hrs at 25°C	Material	Thermal Grease
Lead Wire Length	180 +-10 mm	Weight	
Applications			
INTEL : Supports Pentium 4 Socket 775 Prescott			

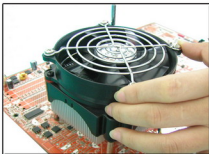


# NPH 775-8 installation guide

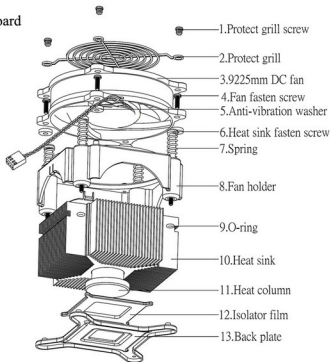
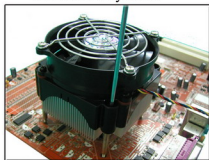
**Step 1:** put back plate under the Motherboard



**Step 2:** Thermal compound is already applied on the heatsink



**Step 3:** Place cooler at the top of CPU , and then secure each of the four fasten screw by driver



**Step 4:** Please attached the power connector of the cooler to the CPU fan header located on the motherboard

